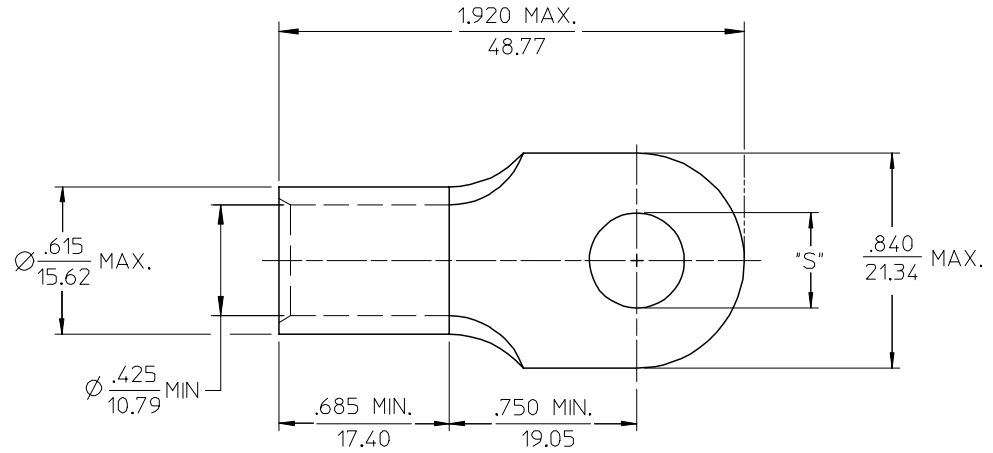


| MATERIAL NO. | ENG. NO. | STUD SIZE | ±.003 *S* | STOCK THICKNESS |
|--------------|----------|-----------|-----------|-----------------|
| 191930330 | H-381-14 | 1/4 | .265 | .075 (1.90) |
| 191930333 | H-381-56 | 5/16 | .328 | |
| 191930331 | H-381-38 | 3/8 | .390 | |
| 191930556 | H-381-12 | 1/2 | .515 | |



SALES DRAWING

- NOTE(S):
1. MATERIAL: COPPER
 2. PLATING: ELECTROPLATE TIN.
 3. ALL DIMENSIONS IN INCHES/(MM)
 4. WIRE SIZE: 1/0 AWG
50 MM²

| | | | | | | | |
|---|---|---------------------------------------|--------------------|------------------|---|------------------------|---|
| REVISED/UPDATE TO MX STD EC NO: ETC2003-03/15 DRWN:DMYRICK 2003/08/20 CHKD:HEB 2003/08/21 APPR:RDEROSS 2003/08/21 | QUALITY SYMBOLS | GENERAL TOLERANCES (UNLESS SPECIFIED) | | SCALE 2:1 | DESIGN UNITS INCH | THIRD ANGLE PROJECTION | REVISE ON CAD ONLY |
| | DESCRIPTION ▽ = 0 ▽C = 0 | 4 PLACES | ± --- | ± --- | DIMENSION STYLE IN/MM | | TITLE RING TONGUE TERMINAL VERSAKRIMP SERIES 1/0 AWG |
| | | 3 PLACES | ± --- | ± .005 | DRAWN BY DLM | DATE 03/06/13 | |
| | | 2 PLACES | ± 0.13 | ± .01 | CHECKED BY HEB | DATE 03/06/13 | MATERIAL NO. (SEE CHART) |
| 1 PLACE | ± 0.25 | ± --- | APPROVED BY RWD | DATE 03/06/13 | SHEET NO. 1 OF 1 | | |
| REV | DRAFT WHERE APPLICABLE MUST REMAIN WITHIN DIMENSIONS | | ANGULAR ±1/2° | | THIS DRAWING CONTAINS INFORMATION THAT IS PROPRIETARY TO MOLEX INCORPORATED AND SHOULD NOT BE USED WITHOUT WRITTEN PERMISSION | | |